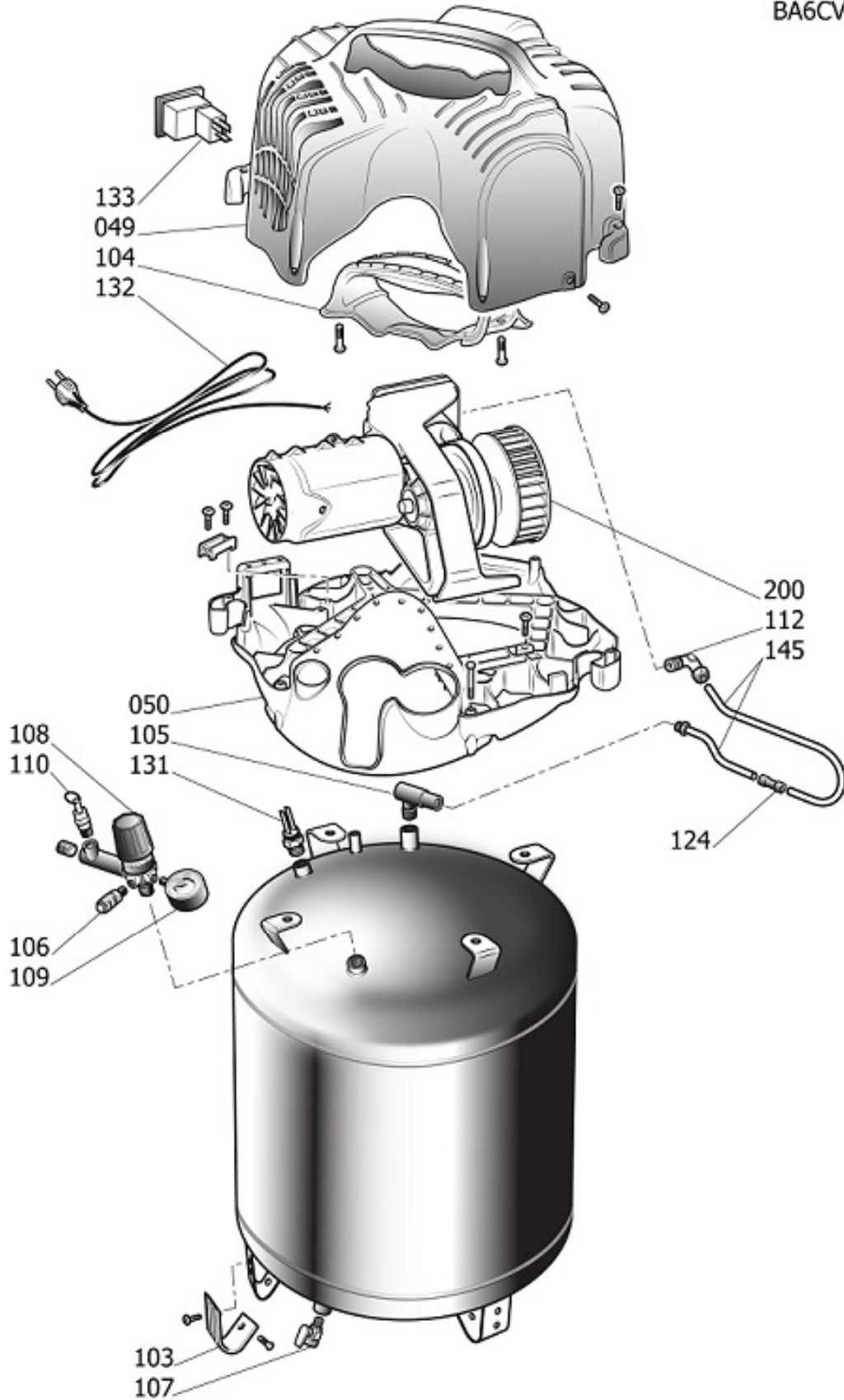
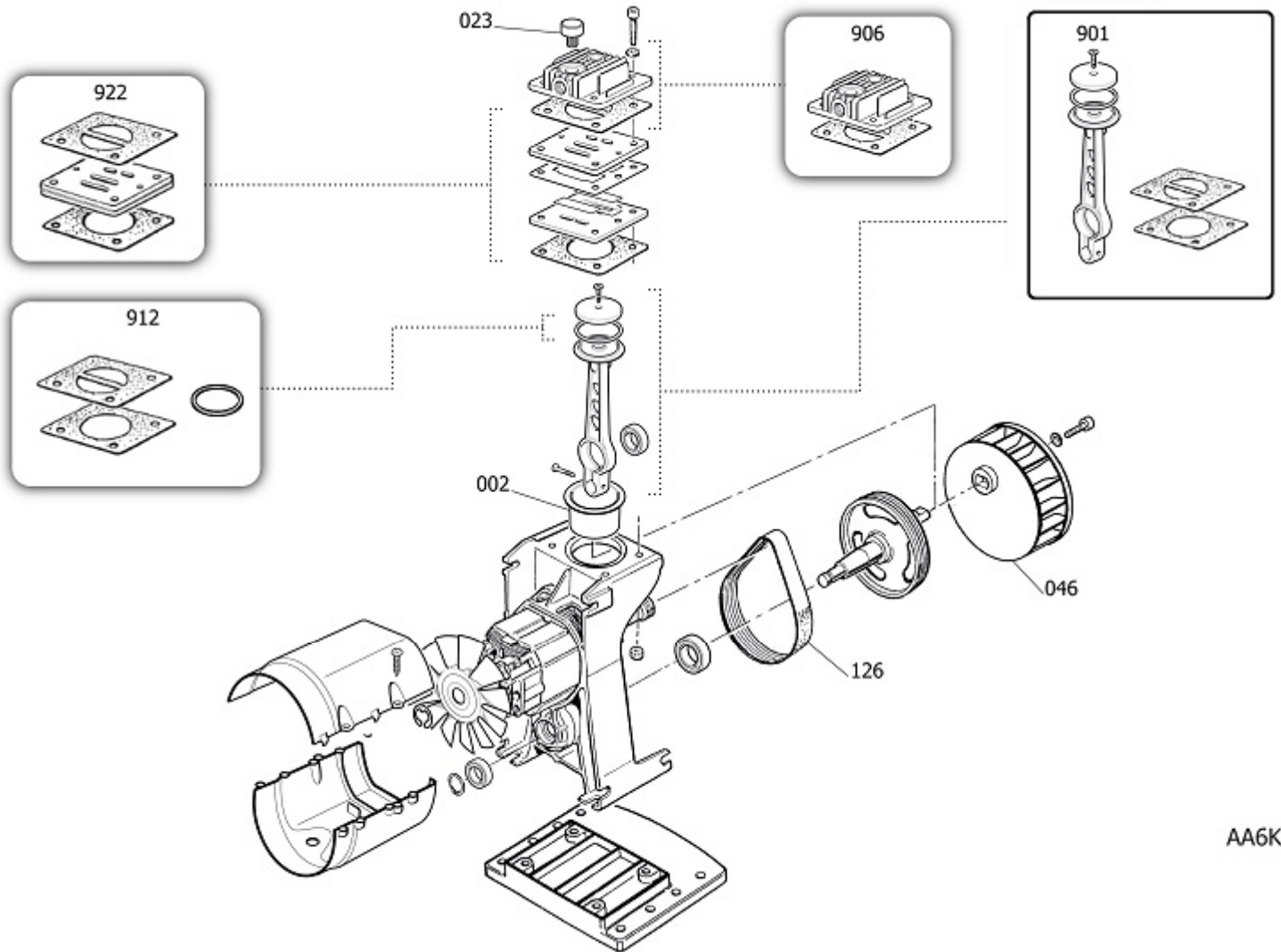


BA6CV



Pos	Component	MU	Multiplier	
49	9038865	CARENATURA SUPERIORE	PZ	1,0
50	9038868	CARENATURA INFERIORE	PZ	1,0
103	9038773	RUOTA PIVOTTANTE/PIEDINO	PZ	4,0
104	9038867	MANIGLIA	PZ	1,0
105	9048101	VALVOLA RITEGNO	PZ	1,0
106	9047087	RUBINETTO LINEA	PZ	1,0
107	9047079	RUBINETTO SCARICO CONDENZA	PZ	1,0
108	9051194	RIDUTTORE DI PRESSIONE	PZ	1,0
109	9052173	MANOMETRO	PZ	1,0
110	9049224	VALVOLA DI SICUREZZA	PZ	1,0
112	9050601	NIPPLO/GOMITO	PZ	1,0
124	9414249	CONN.SEND.PIPE SR10 MINIR.ROHS	PZ	1,0
131	9063202	PRESSOSTATO COMPLETO	PZ	1,0
132	9065642	CAVO ALIMENTAZIONE	PZ	1,0
133	9064806	INTERRUTTORE	PZ	1,0
145	9043539	TUBO MANDATA	PZ	1,0
145	9043540	TUBO MANDATA	PZ	1,0
200	A60000T	GRUPPO POMPANTE	PZ	1,0
486	9050613	TAPPO	PZ	1,0



AA6KT

Pos	Component	MU	Multiplier
1	A661106 CARTER	PZ	1,0
2	A631040 CILINDRO	PZ	1,0
4	A661204 ALBERO	PZ	1,0
19	9131678 WASHER 5,3X12X1,5 ROHS	PZ	1,0
23	9416634 FILTRO ARIA COMPLETO	PZ	1,0
30	9170113 6203.ZZ.C3.P6.V2.Z2.170°.ROHS	PZ	1,0
30	9170114 6001.2RS.C3.P6.V2.Z2.170°.ROHS	PZ	2,0
45	9140211 SEEGER 12 UNI 7435 ROHS	PZ	1,0
46	9038566 VENTOLA	PZ	1,0
62	A650300 GUARNIZ.CILINDRO-PIASTRA	PZ	1,0
126	9075338 CINGHIA	PZ	1,0
900	9434A38 MPK VALVE PLATE OL195 MINY	PZ	1,0
901	9434B38 MPK PISTON-CONROD OL195 MINY	PZ	1,0
906	9434G28 MPK HEAD OL195 BRICO	PZ	1,0
912	9434C35 MPK PISTON RINGS OL195 MINY	PZ	1,0